

FEDERAL SUPPLY CLASS
5330

REV.
A

AS9374

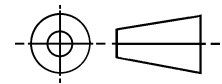
THE INITIAL SAE PUBLICATION OF THIS DOCUMENT WAS TAKEN DIRECTLY FROM U.S. MILITARY STANDARD MS9374(ASG) REV. A. THIS SAE STANDARD RETAINS THE SAME PART NUMBERS ESTABLISHED BY THE ORIGINAL MILITARY DOCUMENT.

ANY REQUIREMENTS ASSOCIATED WITH QUALIFIED PRODUCTS LISTS (QPL) MAY CONTINUE TO BE MANDATORY FOR DOD CONTRACTS. REQUIREMENTS RELATING TO QPL'S HAVE NOT BEEN ADOPTED BY THE SAE FOR THIS STANDARD AND ARE NOT PART OF THIS SAE DOCUMENT.

SAE Technical Standards Board Rules provide that: "This report is published by SAE to advance the state of technical and engineering sciences. The use of this report is entirely voluntary, and its applicability and suitability for any particular use, including any patent infringement arising therefrom, is the sole responsibility of the user."
SAE reviews each technical report at least every five years at which time it may be reaffirmed, revised, or cancelled. SAE invites your written comments and suggestions.

SAENORM.COM : Click to view the full PDF of as9374a

THIRD ANGLE PROJECTION



ISSUED 2000-10 REVISED 2001-07

PREPARED BY SAE COMMITTEE E-25, GENERAL STANDARDS FOR AEROSPACE PROPULSION SYSTEMS

SAE The Engineering Society
For Advancing Mobility
INTERNATIONAL
Land Sea Air and Space®
400 Commonwealth Drive, Warrendale, PA 15096-0001

AEROSPACE STANDARD

(R)

GASKET - METAL O-RING,
.094 TUBE X .006 WALL, SILVER PLATED,
CRES - UNS S32100

AS9374
SHEET 1 OF 4

REV.
A

REV.
A

AS9374

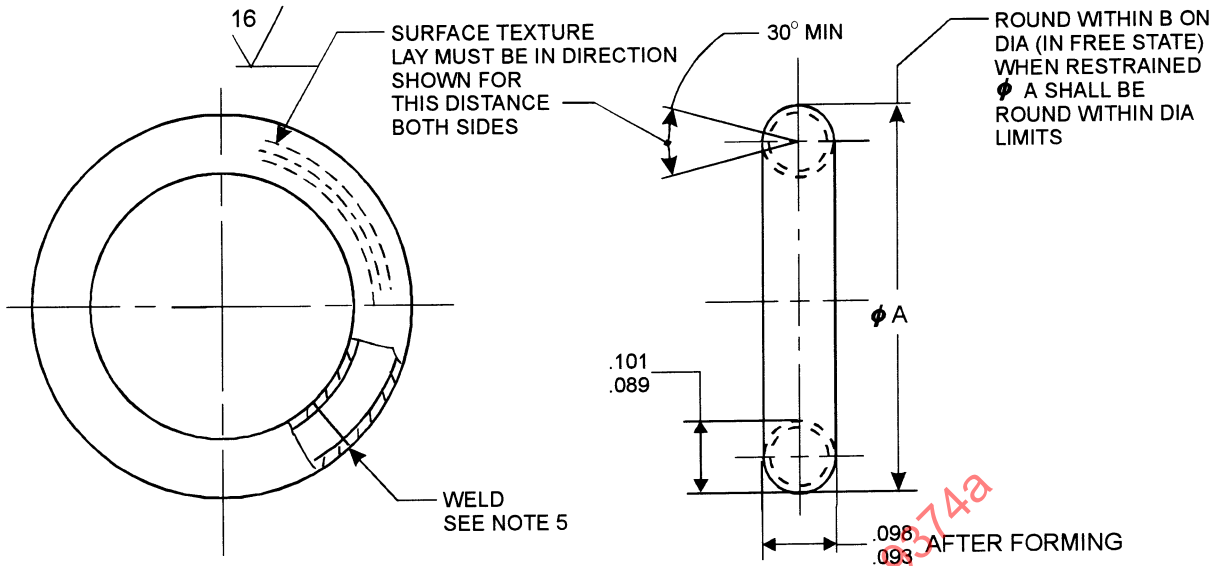


FIGURE 1

TABLE 1 - PART NUMBERS AND DIMENSIONS

PART NO.	A +.005 -.000	TOL B	APPROX. MASS LB/100	PART NO.	A +.005 -.000	TOL B	APPROX. MASS LB/100
* MS9374-010	1.000	.030	.245	MS9374-026	1.469	.030	.360
MS9374-012	1.031	.030	.252	* MS9374-027	1.500	.030	.368
MS9374-013	1.062	.030	.261	MS9374-028	1.562	.030	.383
MS9374-014	1.094	.030	.268	MS9374-029	1.625	.030	.397
* MS9374-015	1.125	.030	.274	MS9374-030	1.688	.030	.413
MS9374-016	1.156	.030	.284	* MS9374-031	1.750	.030	.428
MS9374-017	1.188	.030	.290	MS9374-032	1.812	.030	.445
MS9374-018	1.219	.030	.299	MS9374-033	1.875	.030	.458
* MS9374-019	1.250	.030	.306	MS9374-034	1.938	.030	.475
MS9374-020	1.281	.030	.313	* MS9374-035	2.000	.030	.490
MS9374-021	1.312	.030	.322	MS9374-036	2.062	.030	.505
MS9374-022	1.344	.030	.329	MS9374-037	2.125	.030	.520
* MS9374-023	1.375	.030	.336	MS9374-038	2.188	.030	.535
MS9374-024	1.406	.030	.345	* MS9374-039	2.250	.030	.551
MS9374-025	1.438	.030	.352	MS9374-040	2.312	.030	.567

REV.
A

AS9374

TABLE 1 - PART NUMBERS AND DIMENSIONS (CONTINUED)

PART NO.	A +.005 -.000	TOL B	APPROX. MASS LB/100	PART NO.	A +.005 -.000	TOL B	APPROX. MASS LB/100
MS9374-041	2.375	.030	.581	MS9374-081	4.875	.060	1.193
MS9374-042	2.438	.030	.596	* MS9374-083	5.000	.060	1.225
*MS9374-043	2.500	.030	.613	MS9374-085	5.125	.090	1.255
MS9374-044	2.562	.060	.628	MS9374-087	5.250	.090	1.288
MS9374-045	2.625	.060	.642	MS9374-089	5.375	.090	1.318
MS9374-046	2.688	.060	.658	MS9374-091	5.500	.090	1.350
*MS9374-047	2.750	.060	.674	MS9374-095	5.750	.090	1.410
MS9374-048	2.812	.060	.690	* MS9374-099	6.000	.090	1.470
MS9374-049	2.875	.060	.704	MS9374-103	6.250	.090	1.530
MS9374-050	2.938	.060	.719	MS9374-107	6.500	.090	1.590
*MS9374-051	3.000	.060	.735	MS9374-111	6.750	.090	1.653
MS9374-052	3.062	.060	.750	* MS9374-115	7.000	.090	1.715
MS9374-053	3.125	.060	.765	MS9374-119	7.250	.090	1.776
MS9374-054	3.188	.060	.780	MS9374-123	7.500	.090	1.840
MS9374-055	3.250	.060	.796	MS9374-127	7.750	.090	1.900
MS9374-056	3.312	.060	.810	* MS9374-131	8.000	.090	1.960
MS9374-057	3.375	.060	.825	MS9374-135	8.250	.090	2.020
MS9374-058	3.438	.060	.841	MS9374-139	8.500	.090	2.090
MS9374-059	3.500	.060	.858	MS9374-143	8.750	.090	2.145
MS9374-060	3.562	.060	.874	* MS9374-147	9.000	.090	2.205
MS9374-061	3.625	.060	.888	MS9374-151	9.250	.090	2.270
MS9374-062	3.688	.060	.904	MS9374-155	9.500	.090	2.328
MS9374-063	3.750	.060	.920	MS9374-159	9.750	.090	2.390
MS9374-064	3.812	.060	.935	* MS9374-163	10.000	.090	2.450
MS9374-065	3.875	.060	.949	MS9374-167	10.250	.125	2.510
MS9374-066	3.938	.060	.965	MS9374-171	10.500	.125	2.575
* MS9374-067	4.000	.060	.980	MS9374-175	10.750	.125	2.635
MS9374-069	4.125	.060	1.010	* MS9374-179	11.000	.125	2.695
MS9374-071	4.250	.060	1.040	MS9374-183	11.250	.125	2.760
MS9374-073	4.375	.060	1.070	MS9374-187	11.500	.125	2.820
MS9374-075	4.500	.060	1.102	MS9374-191	11.750	.125	2.880
MS9374-077	4.625	.060	1.131	* MS9374-195	12.000	.125	2.940
MS9374-079	4.750	.060	1.165				

AEROSPACE STANDARD

(R)

GASKET - METAL O-RING,
.094 TUBE X .006 WALL, SILVER PLATED,
CRES - UNS S32100

AS9374
SHEET 3 OF 4

REV.
A